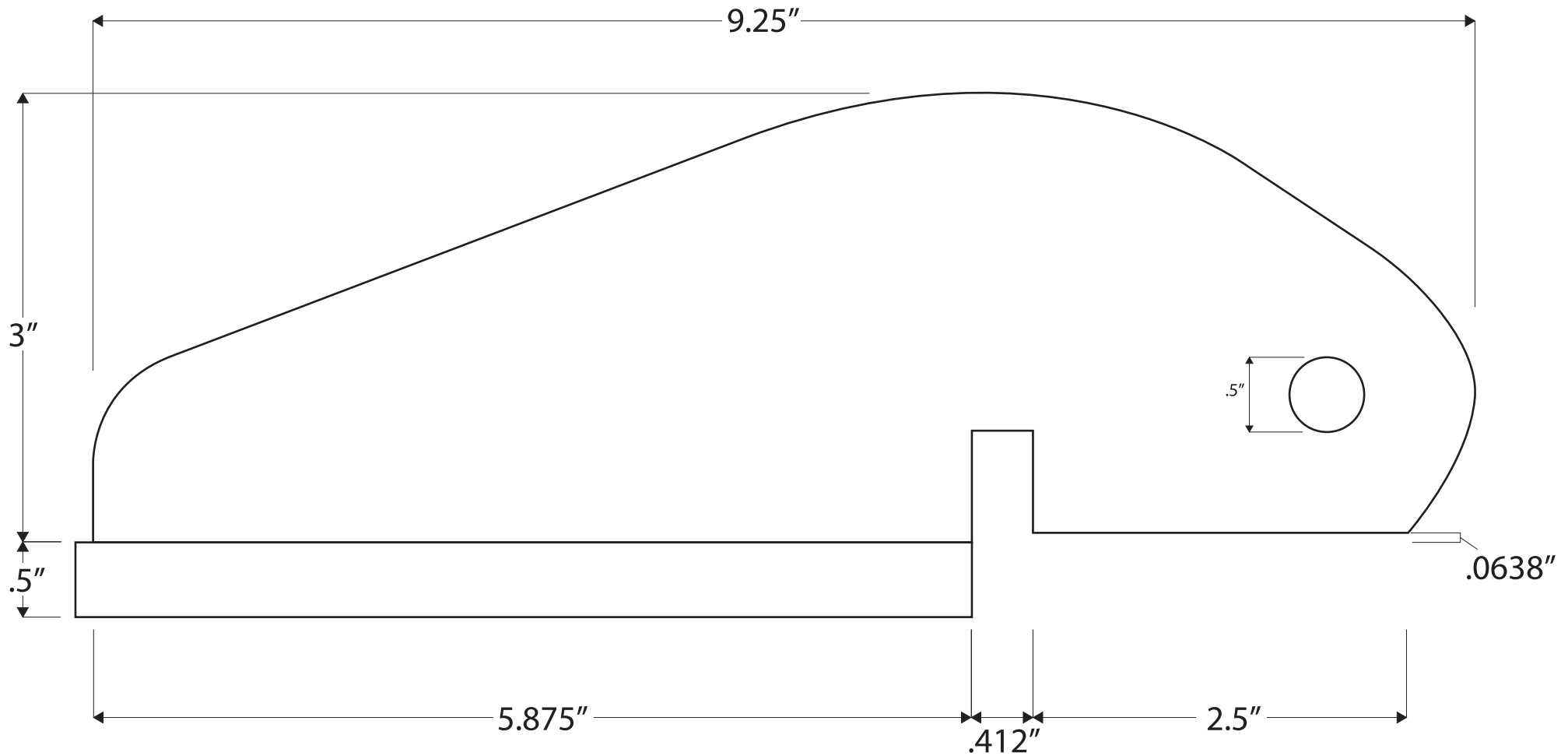


# DRIVER SIDE



Doc. Info:

Driver Side Tow Eye

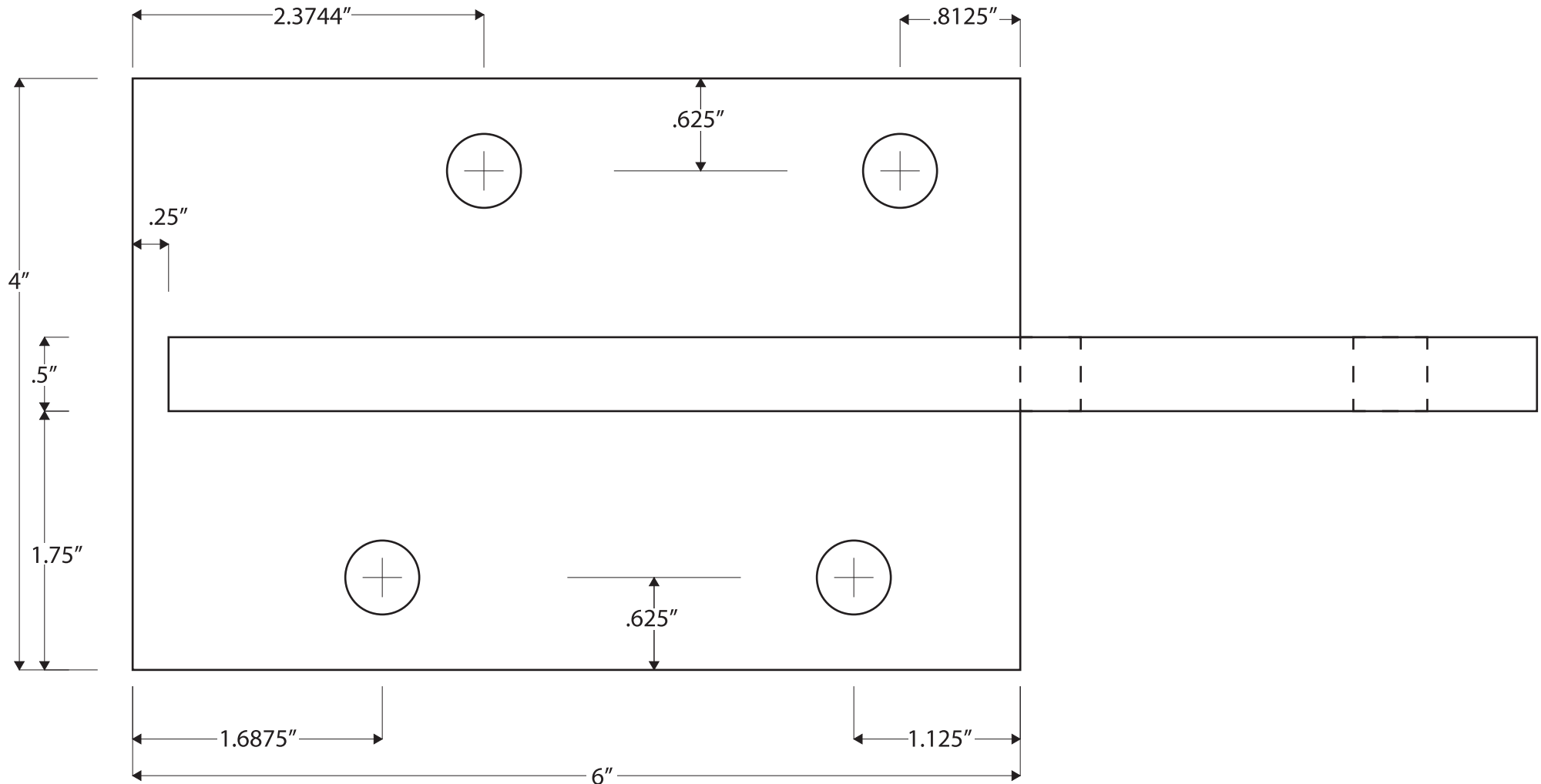
Design by:

Phil Daley

4/30/2020



# DRIVER SIDE



NOTES:

- ALL HOLES .5" IN DIAMETER
- PLATE THICKNESS IS .5"

Doc.Info:

DRIVER SIDE Bolt Plates

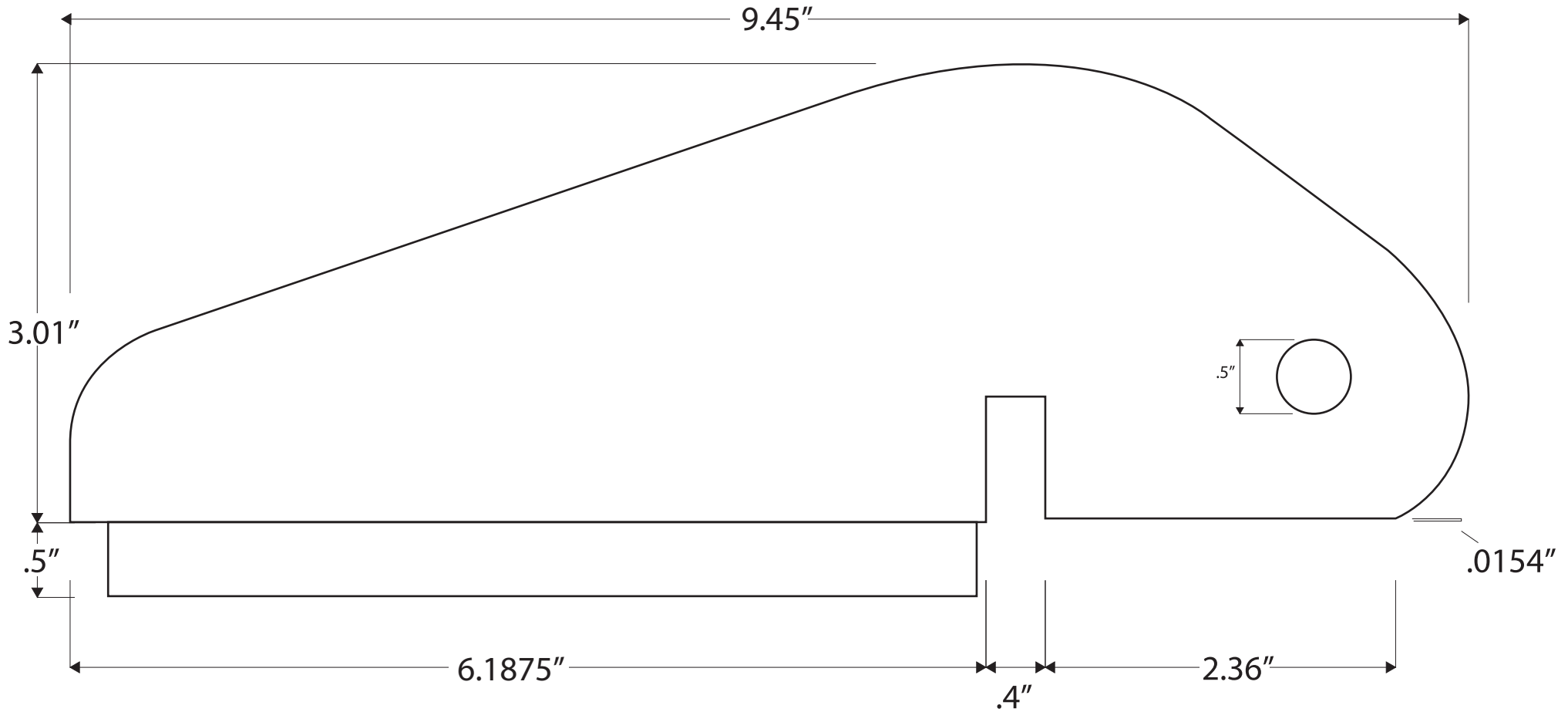
Design by:

Phil Daley

4/30/2020



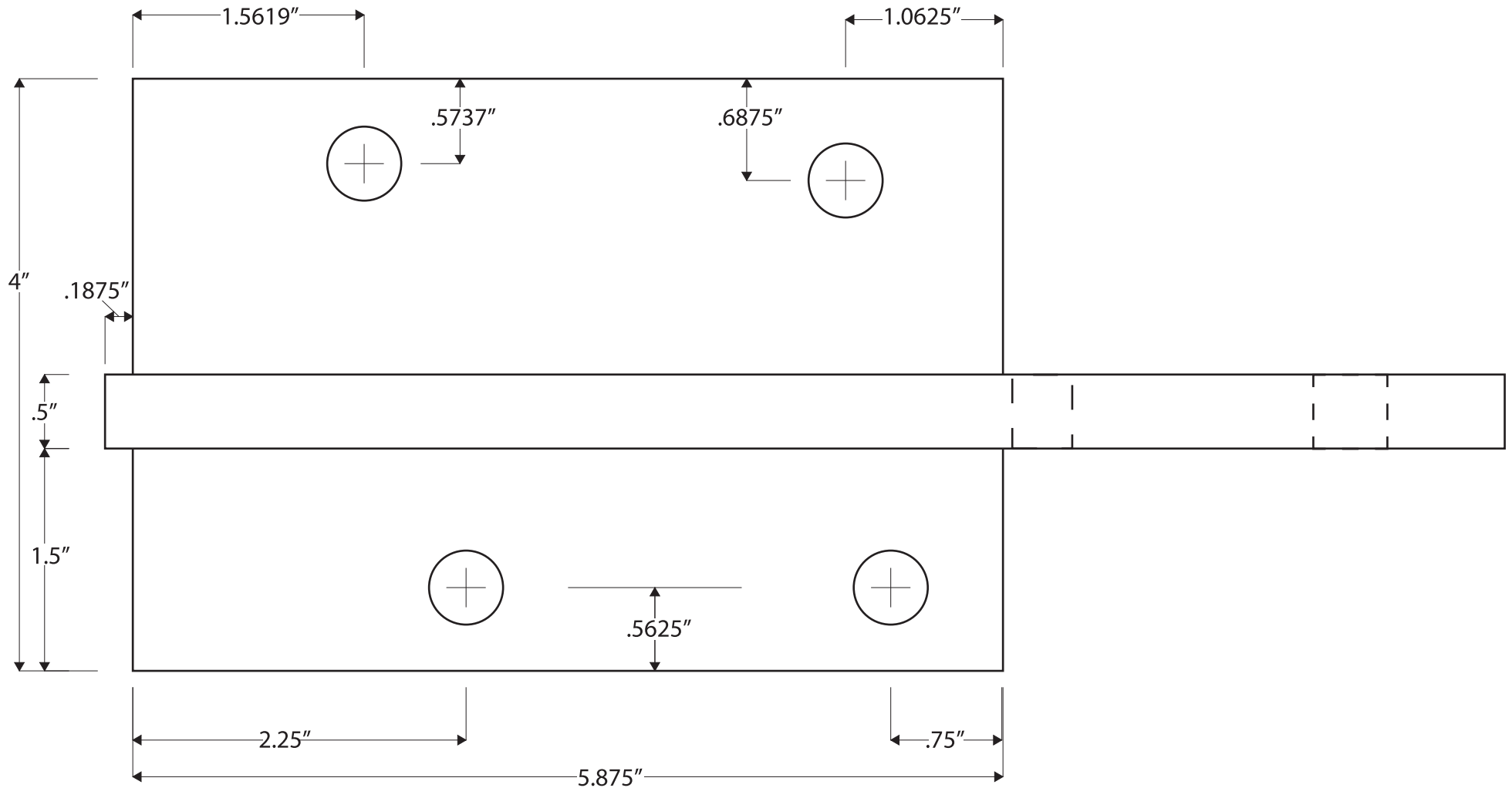
# PASSENGER SIDE



Doc. Info:	Passenger Side Tow Eye
Design by:	Phil Daley 4/30/2020



# PASSENGER SIDE



NOTES:

- ALL HOLES .5" IN DIAMETER
- PLATE THICKNESS IS .5"

Doc. Info: PASSENGER SIDE Bolt Plates

Design by: Phil Daley 4/30/2020

